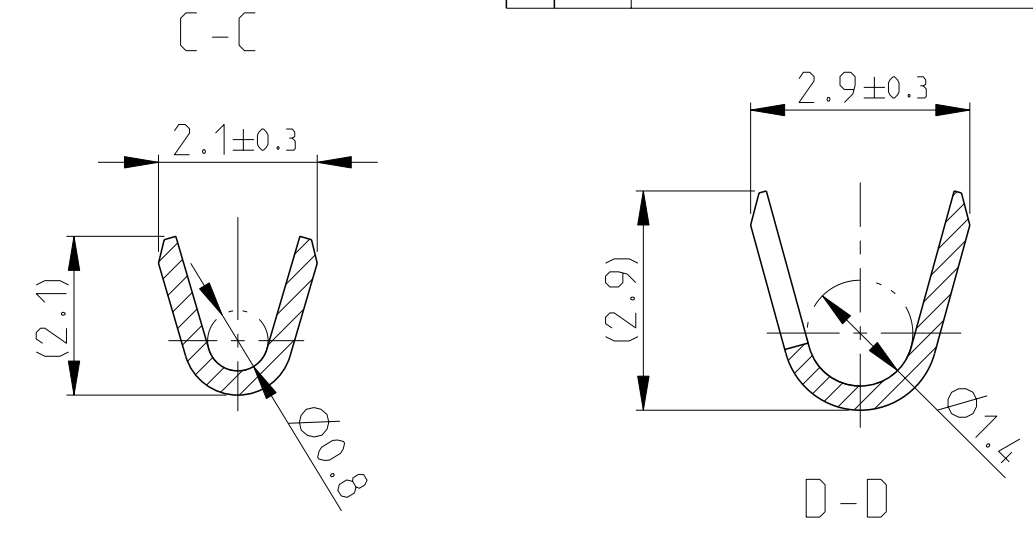
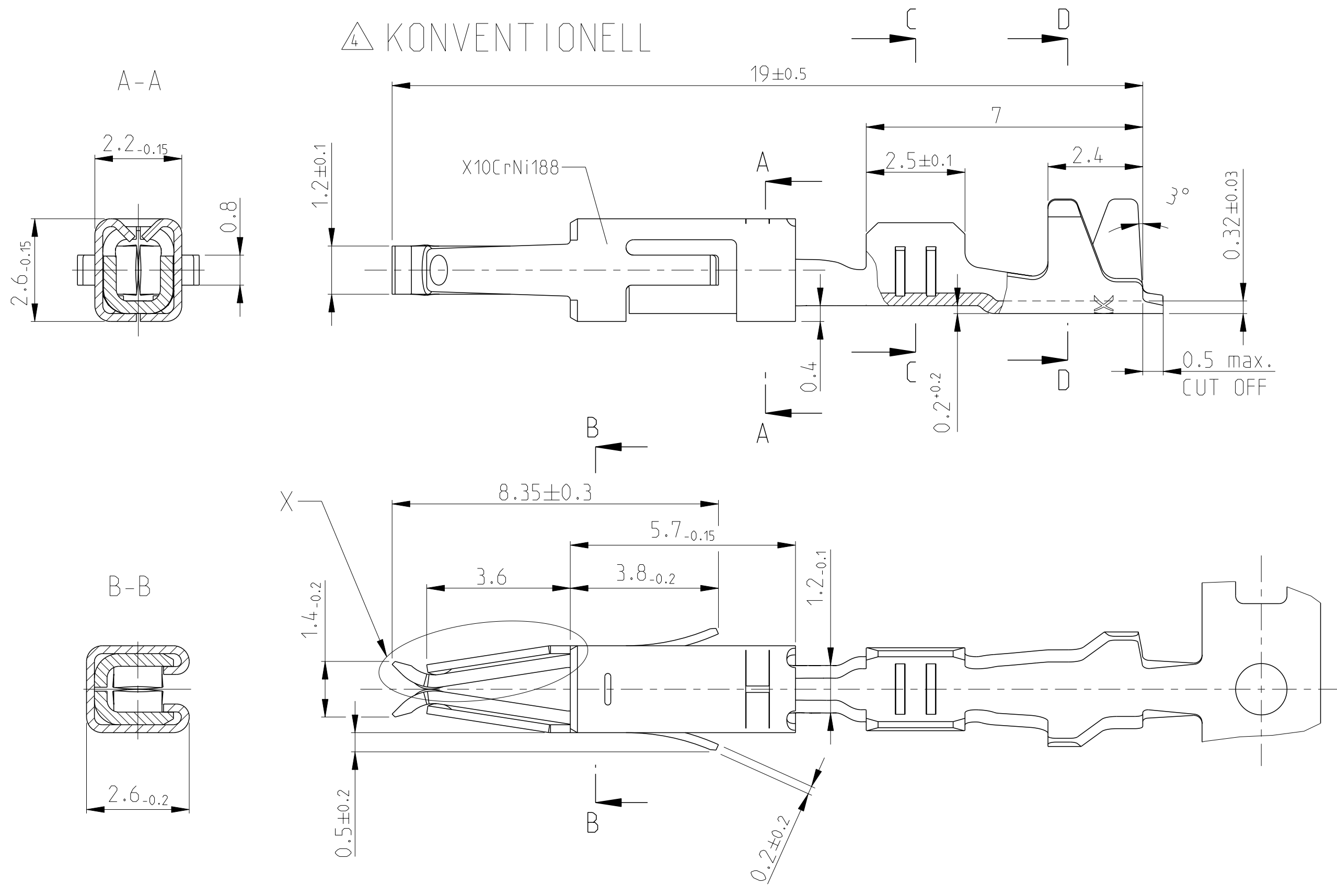


THIS DRAWING IS UNPUBLISHED. RELEASED FOR PUBLICATION 2008  
 © COPYRIGHT 2008 Tyco Electronics AMP GmbH ALL RIGHTS RESERVED.

REVISIONS					
P	LTR	DESCRIPTION	DATE	DWN	APVD
J2		NEW VERSION OF GOLD CONTACTS PERMITTED.	18MAY2011	Kirs	Mair
J3		OPTIONAL to note 8 TTD added. (area A3)	28JUN2011	Kirs	Mair
J4		SURFACE ERROR (962942-6) CHANGE NOTE 1 TO NOTE 2	06MAR2012	Kirs	Eder
J5		SET PN's OBSOLETE	17JUN2014	Ho.	Eder

4 KONVENTIONELL

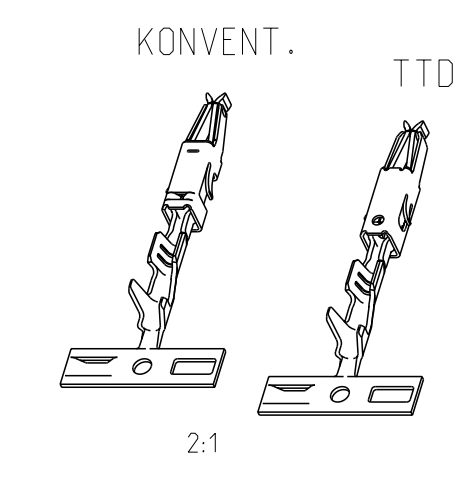
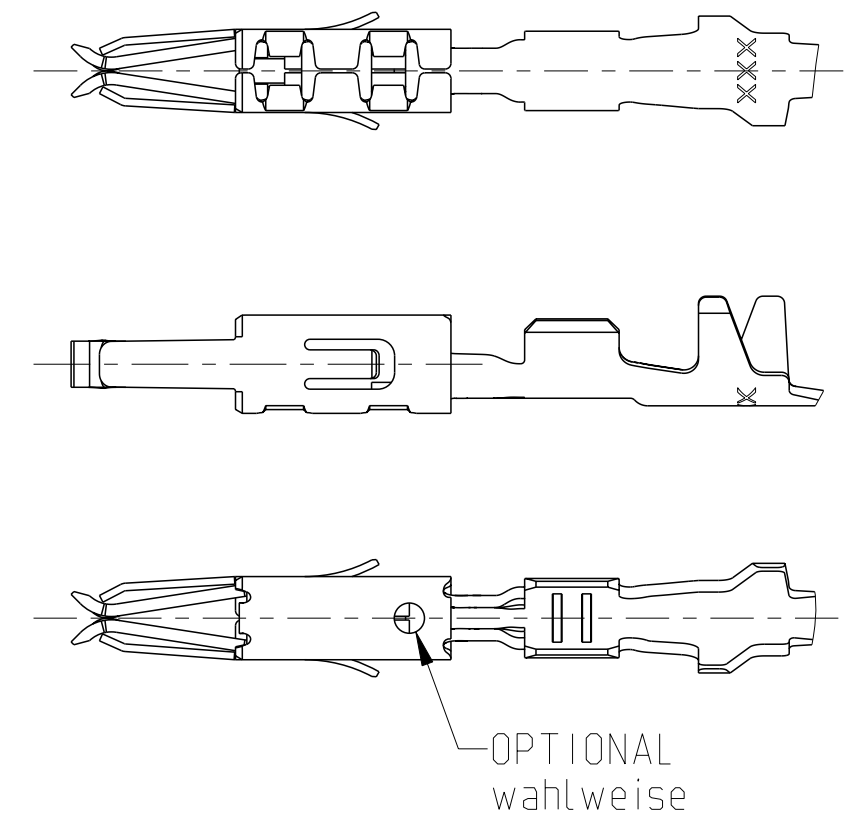
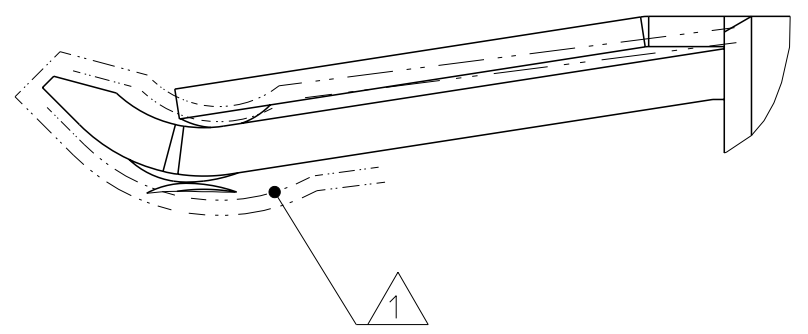


NOTES  
Bemerkungen

- 1 SELECTIVE GOLD OVER NICKEL 0.8 µm MIN.  
selektiv vergoldet ueber Nickel 0.8 µm min.
- 2 TIN PLATED OVER NICKEL 0.2 µm MIN.  
verzinkt ueber Nickel 0.2 µm min.
- 3 WIRE RANGE : 0.2 - 0.5 mm<sup>2</sup>  
INSULATION-Ø : 1.15 - 1.6 mm (FLR)  
Drahtgroessenbereich : 0.2 - 0.5 mm<sup>2</sup>  
Isolations-Ø : 1.15 - 1.6 mm (FLR)

X  
M 20:1

5 TWO TRACK DIE  
M 5:1



VERSION	LP NO	SURFACE / Oberflaeche	MATERIAL	PART NO	REV
4 5		1 2	CuFe2	962942-5	J
4 5		1 2	CuSn4	962942-3	J
5		PRETIN	CuFe2	962942-2	J
5		PRETIN	CuSn4	962942-1	J

THIS DRAWING IS A CONTROLLED DOCUMENT.

DIMENSIONS: mm	TOLERANCES UNLESS OTHERWISE SPECIFIED:	DWN: M.Pfeilschiffer 24-JUL-03	CHK: M.Brunner 24-JUL-03	APVD: M.Bleicher 24-JUL-03
0-PLC ±	1-PLC ±	2-PLC ±	3-PLC ±	4-PLC ±
ANGLES ±2°	FINISH	PRODUCT SPEC: 108-18055	APPLICATION SPEC: 114-18081	WEIGHT: 0.3 g
MATERIAL: -	Customer Drawing	SCALE: 10:1	SHEET: 1 OF 1	REV: J5

STE TE Connectivity

NAME: MICRO TIMER 2 CONTACT  
Micro Timer 2 Kontakt

SIZE: A2 CAGE CODE: 00779 DRAWING NO: 962942 RESTRICTED TO: -